



2750090



*Ministero delle Infrastrutture
e dei Trasporti*

DIPARTIMENTO DEI TRASPORTI TERRESTRI
CENTRO PROVE AUTOVEICOLI DI MILANO

MILANO 01 FEB. 2007

Alla Ditta:

AUTEK s.r.l.
Via Privata delle Industrie 22
Nova Milanese (MI)
CEA
RANCATE - MENDRISIO

Per conto della società

Prot.n° U2/0147
Allegati: vari

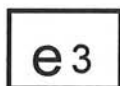
OGGETTO:

Dispositivo: **LUCE TARGA DI IMMATRICOLAZIONE POSTERIORE**

Marchio: **SACEX 2750**

In esito a quanto richiesto con la domanda del 17/01/2007
Visto l'esito delle prove descritte nel verbale n. 00124/MI07, 00125/MI07, 00126/MI07 e
00127MI07 del 19/01/2007 redatto dal CPA di Milano,
si comunica che il dispositivo in oggetto è approvato secondo la normativa ECE e le direttive CEE.

Le diciture da riportare in modo visibile su ogni esemplare del dispositivo sono:



L00 2618

est.01

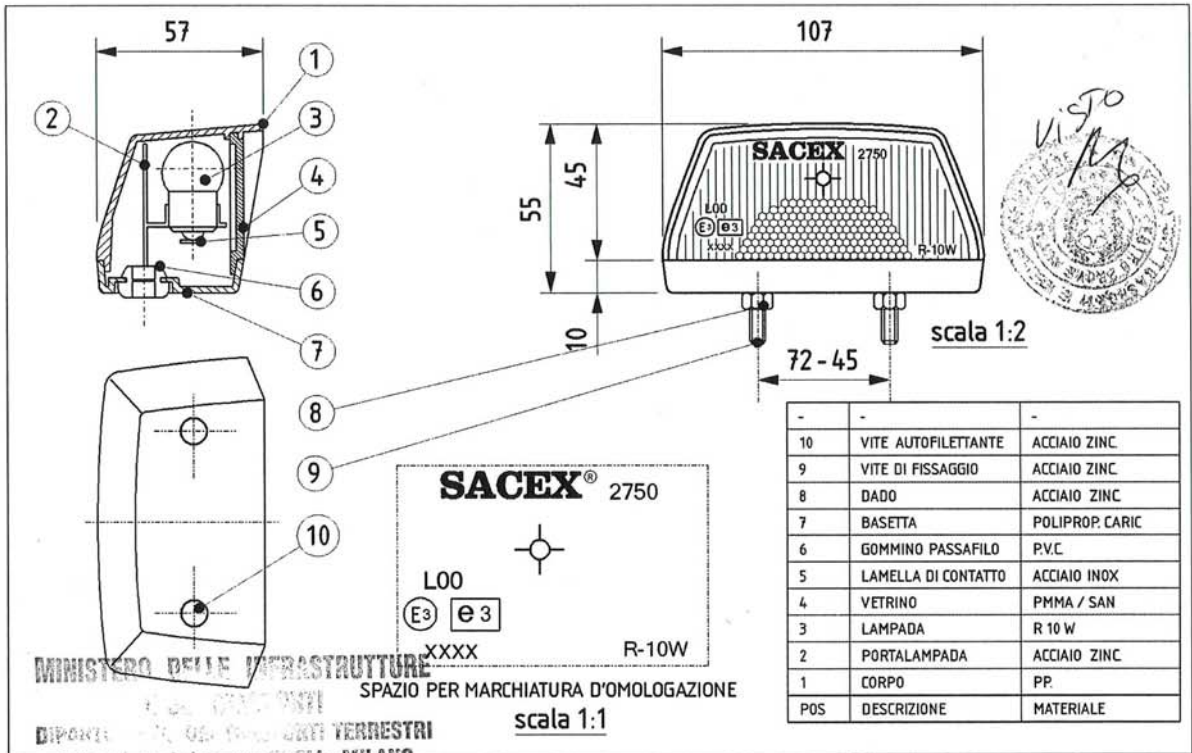
Si trasmettono, in allegato, i sottoelencati documenti relativi all'approvazione del dispositivo in oggetto:

- Certificati di omologazione
- Relazione tecnica
- Verbali di prova 00124/MI07, 00125/MI07, 00126/MI07 e 00127MI07
- Disegni tecnici

Responsabile del procedimento Ing. Maddalena Bennardo



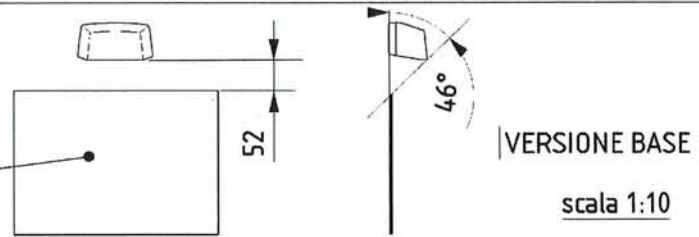
IL DIRETTORE
Dott. Ing. Roberto Garrisi



MINISTERO DELLE INFRASTRUTTURE
 DIPORTE
 CENTRO PROVA TIRISSOLI - MILANO

SPAZIO PER MARCHIATURA D'OMOLOGAZIONE
 scala 1:1

CON ATTO N. Eze 3.2618+Est.01
 DEL 29/11/2007
 SPAZIO ALLOGGIAMENTO TARGA
 (sede 340 x 240 mm.)



ESTENSIONE 01 DIFFERISCE DALLA BASE PER DIVERSA INSTALLAZIONE



POS.	CODICE	Q.TA'	DESCRIZIONE		DIMENSIONE	NORME	MATERIALE	TRATTAMENTO
DIS.			OMOLOGAZIONE		TOLLERANZA GENERALE			
			DATA	SFORMO				
RESPONSABILE TECNICO			SCALA			VOLUME	PESO SPECIFICO	PESO
INDICE DI MODIFICA			OGGETTO				ARTICOLO N°	
000			DISPOSITIVO D'ILLUMINAZIONE DELLA TARGA DI IMMATRICOLAZIONE POSTERIORE per illuminazione "sede alta" o di una "sede lunga" marchio SACEX 2750				2750	
					FOGLIO	DISEGNO N°		
					1/1	OM 06 23 001		

Disegno di proprietà CEA
 vietata la riproduzione

ECLAIREURS DE PLAQUE 2750090 et 2751090

Complément d'information pour les homologations des éclaireurs de plaque réf. 2750090 et 2751090

Les feux en question ont été homologués selon le Règlement N° 4 avec ampoule C 5 watts. la source lumineuse remplaçable ainsi recommandé par le règlement ECE n° 4 au paragraphe 1.4 (annexé). Les recommandations faites aux ampoules et échantillons (étalon) pour les essais, se réfèrent aux définitions données aux ampoules correspondantes Reg. ECE n° 37.

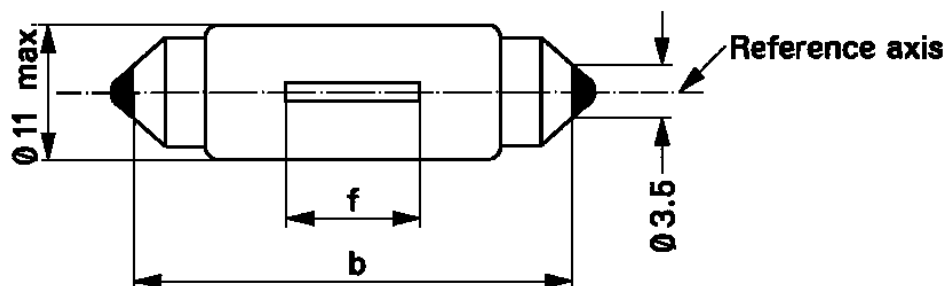
Au paragraphe 5.2 (annexé) il est indiqué pour les sources lumineuses remplaçables que toutes les mesures doivent être faites en utilisant l'ampoule échantillonnée de la catégorie recommandée par le constructeur en donnant une 'alimentation telle qu'elle puisse émettre le flux lumineux de référence recommandé. Dans le Règlement ECE 37, au paragraphe descriptif de l'ampoule C5W (annexé) il est recommandé que l'ampoule échantillonnée soit une 12V nommée et que le flux lumineux de référence soit de 45 Lm obtenu à environ 13,5 V.

Dans notre cas, le Règlement ECE compétent prévoit que l'essai pour le contrôle des caractéristiques demandées pour l'homologation soit exécuté avec une ampoule C5W échantillonnée en 12V alimentée de façon à émettre 45Lm, indépendamment de la tension de l'ampoule utilisée en production. Le certificat d'homologation pour les sources lumineuses remplaçables prévoit que soient indiqués le type et le numéro des ampoules utilisés. Par contre, il n'est pas demandé pour l'homologation d'indiquer la tension étant donné que ce n'est pas important pour l'homologation elle-même. Une fois que les caractéristiques ont été vérifiées, l'homologation est valable pour les tensions nommées et comme le feu est produit et donc dans notre cas 6,12 et 24volts.

CATEGORY C5W

Sheet C5W/1

The drawings are intended only to illustrate the essential dimensions (in mm) of the filament lamp



Dimensions in mm	Filament lamps of normal production			Standard filament lamp	
	min.	nom.	max.		
b <u>1/</u>	34.0	35.0	36.0	35.0 ± 0.5	
f <u>2/ 3/</u>	7.5 <u>4/</u>		15 <u>5/</u>	9 ± 1.5	
Cap SV8.5 in accordance with IEC Publication 60061 (sheet 7004-81-4)					
ELECTRICAL AND PHOTOMETRIC CHARACTERISTICS					
Rated values	Volts	6	12	24	12
	Watts	5			5
Test voltage	Volts	6.75	13.5	28.0	13.5
Objective values	Watts	5.5 max.		7.7 max.	5.5 max.
	Luminous flux	45 ± 20 %			
Reference luminous flux: 45 lm at approximately 13.5 V					

- 1/ This dimension corresponds to a distance between two apertures of 3.5 mm diameter each bearing against one of the caps.
- 2/ The filament shall be housed in a cylinder 19 mm long co-axial with the filament lamp and placed symmetrically about the filament lamp centre.
The diameter of the cylinder is for 6 V and 12 V filament lamps: d + 4 mm (for standard filament lamps: d + 2 mm) and for 24 V filament lamps: d + 5 mm, "d" being the nominal diameter of the filament as stated by the manufacturer.
- 3/ The deviation of the filament centre from the centre of the filament lamp shall not be more than ± 2.0 mm (for standard filament lamps: ± 0.5 mm) measured in the direction of the reference axis.
- 4/ 4.5 mm for 6 V filament lamps.
- 5/ 16.5 mm for 24 V filament lamps.

1. DEFINITIONS

For the purpose of this Regulation:

- 1.1. "Rear registration plate lamp" means the device for the illumination of rear registration plates, hereinafter called "illuminating device", which illuminates the rear registration plate by reflection. For the approval of this device, the illumination of the space to be occupied by the plate is determined.
- 1.2. The definitions given in Regulation No. 48 and its series of amendments in force at the time of application for type approval shall apply to this Regulation.
- 1.3. "Rear registration plate lamps of different types" means lamps which differ in such essential respects as:
 - (a) the trade name or mark;
 - (b) the characteristics of the optical system, (levels of intensity, light distribution angles, category of filament lamp, light source module, etc.);
 - (c) the angle of incidence of the light on the surface of the plate.
- 1.4. References made in this Regulation to standard (étalon) filament lamp(s) and to Regulation No. 37 shall refer to Regulation No. 37 and its series of amendments in force at the time of application for type approval.

2. APPLICATION FOR APPROVAL

The application for approval shall be submitted by the holder of the trade name or mark or by his duly accredited representative. It shall specify whether the device is intended to illuminate a wide plate (520 x 120 mm), tall plate (340 x 240 mm), plate for agricultural or forestry tractors (120 x 165 mm) or any combination of those plates. At the choice of the applicant, it will also specify that the device may be fitted in more than one or a field of positions in relation to the space to be occupied by this registration plate; these different positions shall be indicated by the applicant in the communication form. It shall be accompanied by the following, in respect of each type:

- (a) drawings (three copies) in sufficient detail to permit identification of the type and showing geometrically the position in which the illuminating device is to be fitted in relation to the space to be occupied by the registration plate, and the outlines of the area adequately illuminated. The drawings must show the position intended for the approval number in relation to the circle of the approval mark;
- (b) a brief technical description stating in particular, with the exception of lamps with non-replaceable light sources:
 - (i) the category or categories of filament lamp prescribed; this filament lamp

- 4.6.3. The size of the components of a single approval mark shall not be less than the minimum size required for the smallest of the individual marks by a Regulation under which approval has been granted.
- 4.6.4. An approval number shall be assigned to each type approved. The same Contracting Party may not assign the same number to another type of grouped, combined or reciprocally incorporated lamps covered by this Regulation.
- 4.6.5. The approval marking shall be clearly legible and indelible. It may be placed on an inner or outer part (transparent or not) of the device which cannot be separated from the transparent part of the device emitting the light. In any case the marking shall be visible when the device is fitted on the vehicle or when a movable part such as the hood or boot lid or a door is opened.
- 4.7. Annex 1 gives examples of arrangements of approval marks for a single lamp (figure 1) and for grouped, combined or reciprocally incorporated lamps (figure 2) with all the additional symbols referred to above.

5. GENERAL SPECIFICATIONS

Each device shall satisfy the provisions of paragraph 9 3/.

- 5.1. The devices for the illumination of rear registration plates shall be so constructed that the whole surface of the plate will be visible within the angles given in Annex 4.
- 5.2. All measurements shall be made with the standard filament lamp of the category prescribed by the manufacturer, the supply voltage being so regulated as to produce the reference luminous flux. All measurements on the devices with non-replaceable light sources shall be made at 6.75 V, 13.5 V or 28.0 V respectively.
- 5.3. In the case of light sources supplied by a special power supply, the above test voltages shall be applied to the input terminals of that power supply. The test laboratory may require from manufacturer the special power supply needed to supply the light sources.
- 5.4. For any rear registration plate illuminating device, except those equipped with filament lamp(s), the luminance values measured after one minute and after 30 minutes of operation shall comply with the minimum requirements.

3/ These specifications are such as to ensure good visibility if the inclination of the registration plate does not exceed 30° on either side of the vertical.

The luminance distribution after one minute of operation can be calculated by applying at each test point the ratio of luminance values measured in one point after one minute and after 30 minutes of operation.

5.5. In the case of light source modules, it shall be checked that:

5.5.1. The design of the light source module(s) shall be such as:

- (a) that each light source module can only be fitted in no other position than the designated and correct one and can only be removed with the use of tool(s);
- (b) If there are more than one light source module used in the housing for a device, light source modules having different characteristics can not be interchanged within the same lamp housing.

5.5.2. The light source module(s) shall be tamperproof.

5.6. In the case of replaceable filament lamp(s):

5.6.1. Any category or categories of filament lamp(s) approved according to Regulation No. 37 may be used, provided that no restriction on the use is made in Regulation No. 37 and its series of amendments in force at the time of application for type approval.

5.6.2. The design of the device shall be such that the filament lamp can be fixed in no other position but the correct one.

5.6.3. The filament lamp holder shall conform to the characteristics given in IEC Publication 60061. The holder data sheet relevant to the category of filament lamp used, applies.

6. COLOUR OF LIGHT

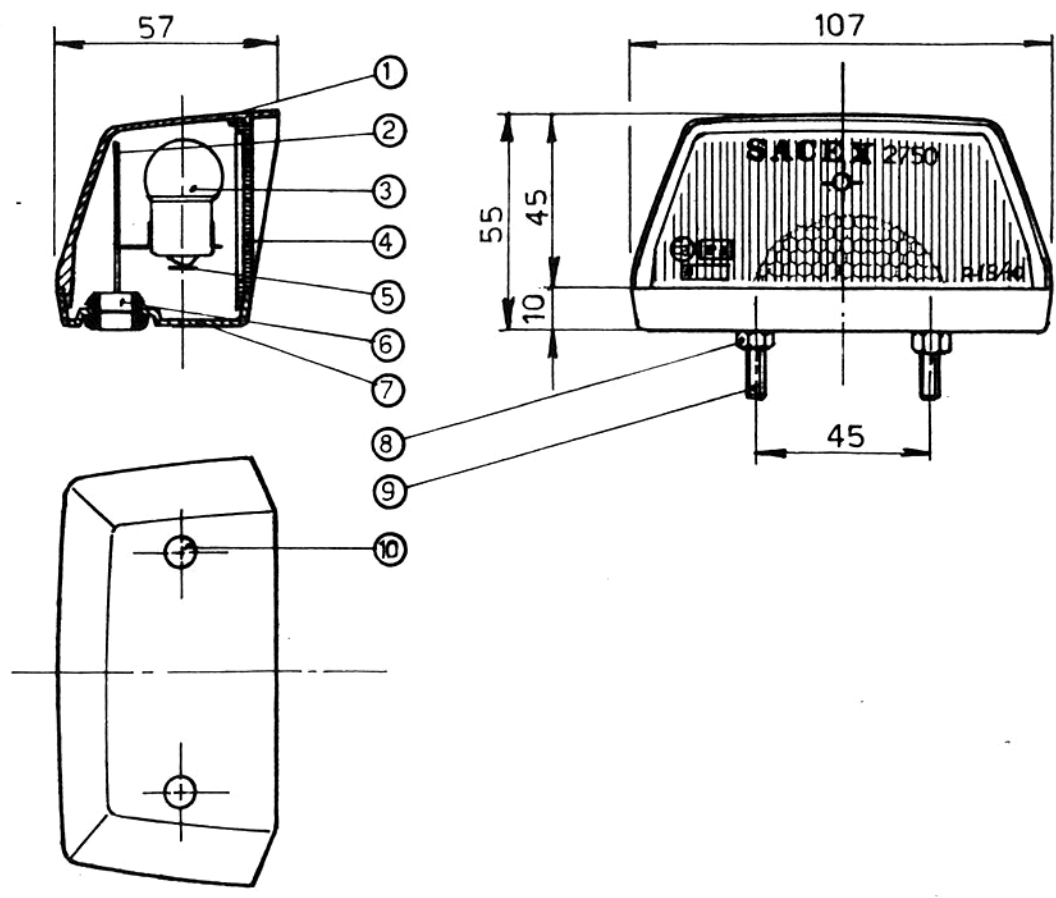
The light of the lamp used in the illuminating device must be sufficiently colourless not to cause any appreciable change in the colour of the registration plate.

SACEX MILANO	DISPOSITIVO D'ILLUMINAZIONE DELLA TARGA DI IMMATRICOLAZIONE POSTERIORE per illuminazione di una " sede alta " o di una " sede lunga "	ANNO 1981
	MARCHIO: SACEX 2750 Dis. N. 0108	
Approvato dal Ministero dei Trasporti Direzione Generale Motorizzazione Civile e T. C. (*) Omologazione CEE (XX)		

(*) Al sensi del Reg. ti 4 annessi all'accordo Internazionale di Ginevra del 20-3-58
(XX) Ai sensi delle direttive CEE 76/756-76/760

Spazio riservato ai numeri di omologazione (ECE CEE) riportati nelle
rispettive comunicazioni di omologazione e da punzonare sul dispositivo

R-19/10



SACEX 2750



Pos.	DESCRIZIONE	MATERIALE
10	Vite autofilettante	Acciaio Zinc.
9	Vite fissaggio	Acciaio Zinc.
8	Dado	Acciaio Zinc.
7	Basetta	Poliprop. Caric.
6	Gommino passafilo	P. V. C.
5	Lamella di contatto	Acciaio inox
4	Vetrino	Metilmetacrilato
3	Lampada	R 19/10
2	Portalampada	Acciaio Zinc.
1	Corpo	Poliprop. Caric.

SACEX

MILANO

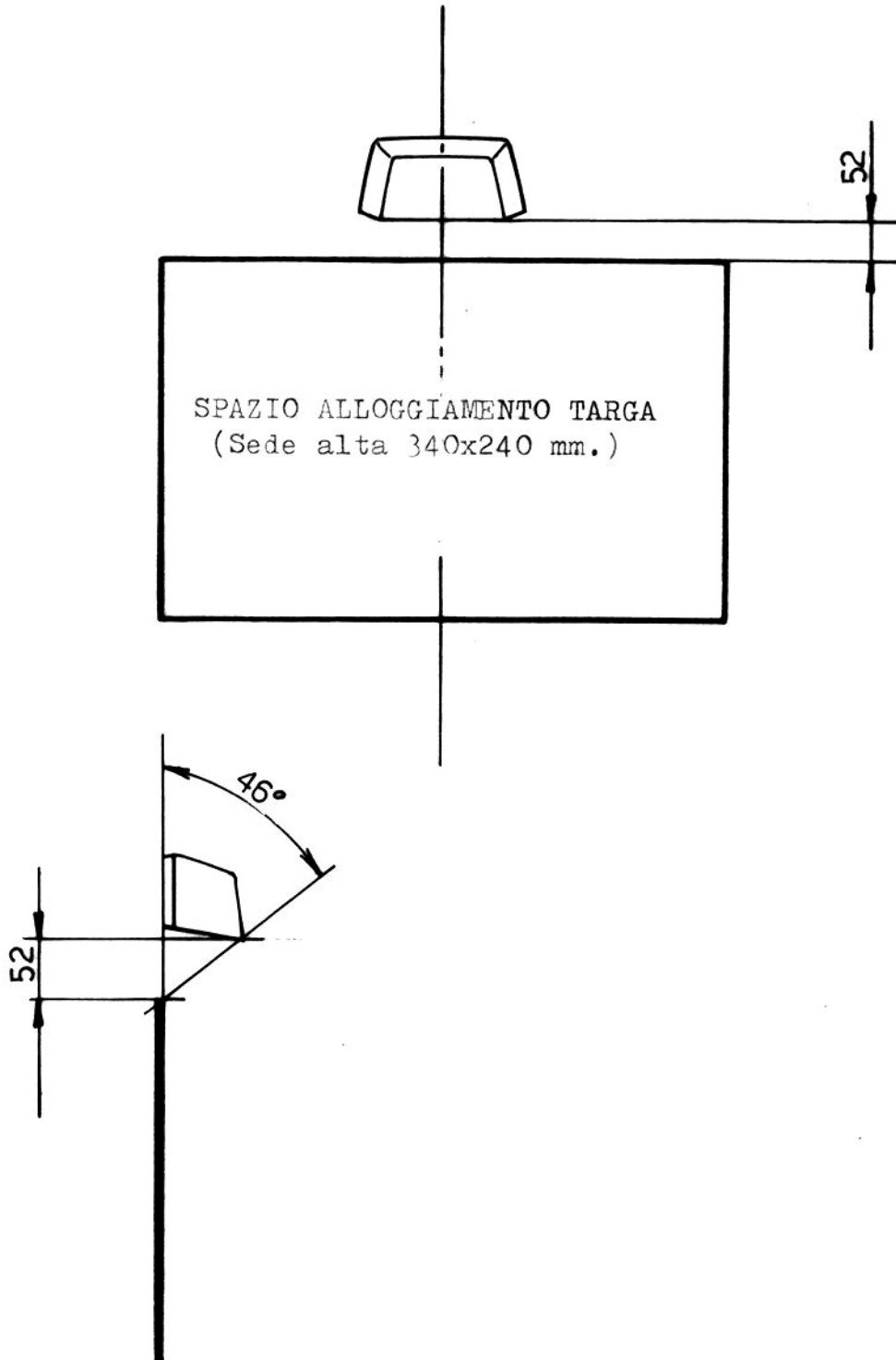
Luce della targa per illuminazione di una "sede alta"

MARCHIO: SACEX 2750

Dis. N.° 0108

ANNO 1981

N.B. La targa deve essere inserita entro lo spazio di alloggiamento, rispettando le norme per il montaggio



SACEX

MILANO

Luce della targa per illuminazione di una "sede lunga"

MARCHIO: SACEX 2750

Dis. N.° 0108

ANNO 1981

N.B. La targa deve essere inserita entro lo spazio di alloggiamento, rispettando le norme per il montaggio.

